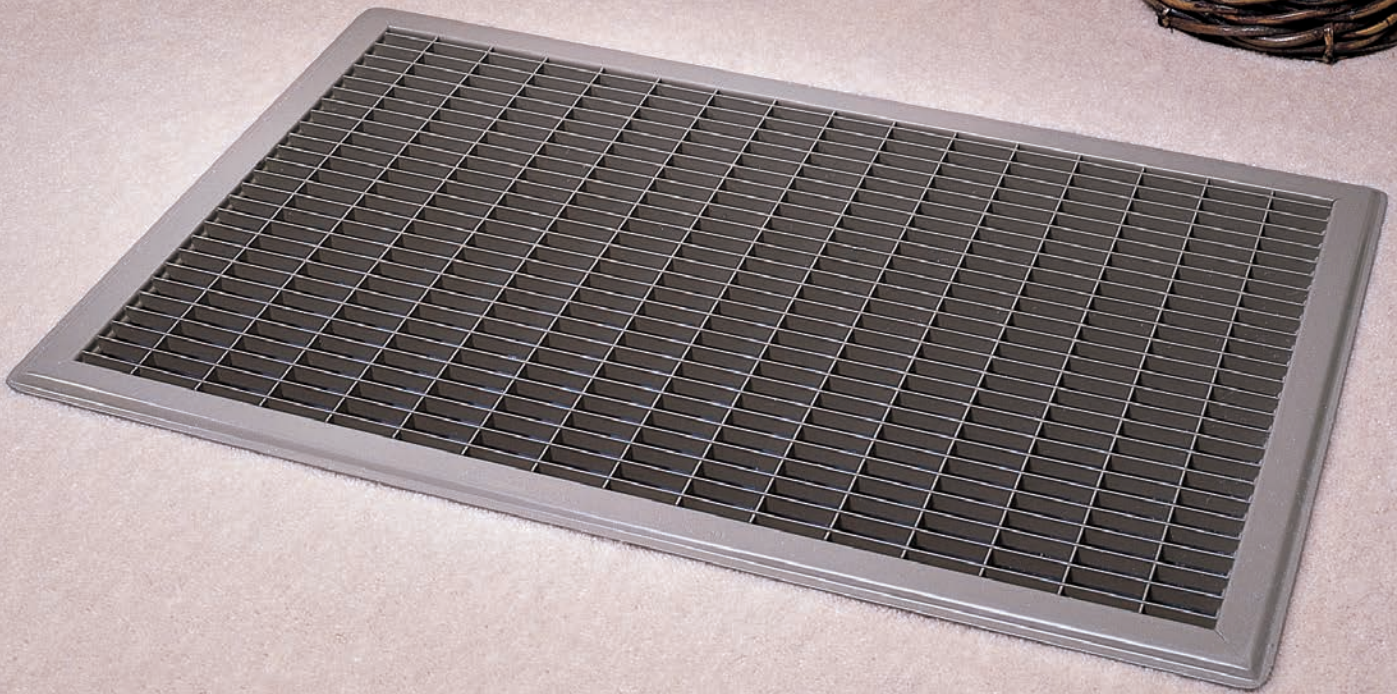


► FLOORFURNACE



SURROUND YOURSELF WITH COMFORT

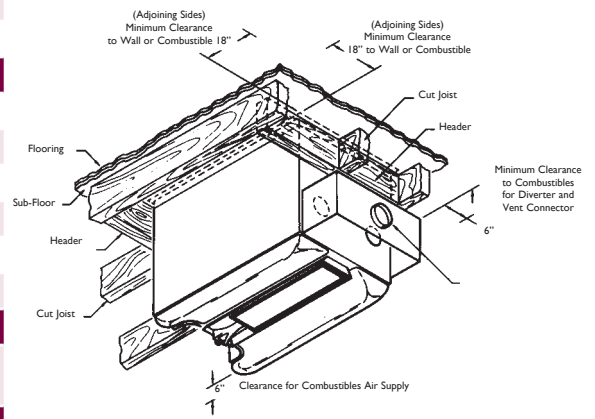
- America's Most Popular Floor Furnace
- Total Comfort for a Fraction of the Cost of Electric Heat
- Needs No Electricity to Operate
- Matchless Pushbutton Piezo Ignition
- Whole-House Heating Capability



[www.empirezoneheat.com](http://www.empirezoneheat.com)



Model	3588X	5088X	7088X
Register Color	Tan	Tan	Tan
Btu Input	32,500	45,000	65,000
<b>Overall Dimensions</b>			
Register Length & Width	34" x 22"	36" x 24"	36" x 32"
Casing Length & Width	32" x 20"	34" x 22"	34" x 30"
Overall Length Including Diverter	40"	43 1/2"	45 1/4"
Floor Opening Length & Width	32 5/16" x 20 5/16"	34 5/16" x 22 5/16"	34 5/16" x 30 5/16"
Height	23 1/2"	25 3/4"	25 3/4"
Shipping Weight, Lbs. (Two Cartons)	108	128	152
<b>Control Options (Not Included)</b>			
Works with Manual; Toggle Switch; Thermostat; Wall Switch; or Remote Control	Yes	Yes	Yes
<b>Minimum Clearances to Combustibles (Top Must Be Open and Clear of All Objects and Covering):</b>			
Each Side to Nearest Wall	6"	6"	6"
Bottom of Unit for Air	6"	6"	6"
Draft Diverter and Vent Connector	6"	6"	6"
Two Adjoining Sides to Walls	18"	18"	18"
<b>Gas Inlet</b>			
Type of Gas (State on Order)	Natural or LP	Natural or LP	Natural or LP
Iron Pipe Size (N.P.T.)	1/2"	1/2"	1/2"
Inlet to Floor	6 3/16"	6 3/16"	4"
<b>Venting</b>			
Floor to Top of Diverter Shield	4 1/2"	4 1/2"	4 1/2"
Center of Flue to Floor Covering	13"	13"	13"
Size of Flue Collar	4" Dia.	4" Dia.	5" Dia.
<i>The flue pipe diameter must be as large as the flue collar on the draft diverter and run as directly as possible to the chimney at least 1/4" rise per foot of run, properly supported by metal straps, and enter the chimney so the end of the flue pipe is flush with the inner wall of the chimney. Any flue pipe passing through walls and roof must be "B" Type vent. The chimney must extend at least two feet above the roof and any object or building within 10 feet of the chimney. The flue pipe must NOT have any open tees or be connected to the chimney of an existing fireplace.</i>			
<b>Safety Control</b>			
Pilot and Main Burners Include Automatic Shut-off, Temperature Limit Controls, Flood Pan, and Debris Pan			
<b>Warranty</b>			
Combustion Chamber carries a 10-year warranty. All other parts carry 1-year limited warranty.			



## FOR YOUR SAFETY

Due to high temperatures, the appliance should be located out of traffic and away from furniture and draperies.

Children and adults should be alerted to the hazard of high surface temperature and should be kept away to avoid burns or clothing ignition.

Installation and repair should be done by a qualified service person.

Read your Owner's Manual for complete installation and safety information

This series is design certified in accordance with American National Standards Institute Z21.86 (latest standard) and by the Canadian Standards Association as a gravity type Floor Furnace to be installed according to instructions.

The installation must conform to local codes. In the absence of local codes, the installation must conform with American National Standard (National Fuel Gas Code) known as NFPA 54 and ANSI Z223.1

(latest edition) available from the American National Standards Institute, Inc., 11 West 42nd St., New York, N.Y. 10036, or from the National Fire Protection Assoc., Batterymarch Park, Quincy, Massachusetts 02269.



Empire Comfort Systems  
918 Freeburg Ave.  
Belleville, IL 62220-2623  
E-mail: info@empirecomfort.com



©Empire Comfort Systems, Inc. EHS-00037 01/01/17